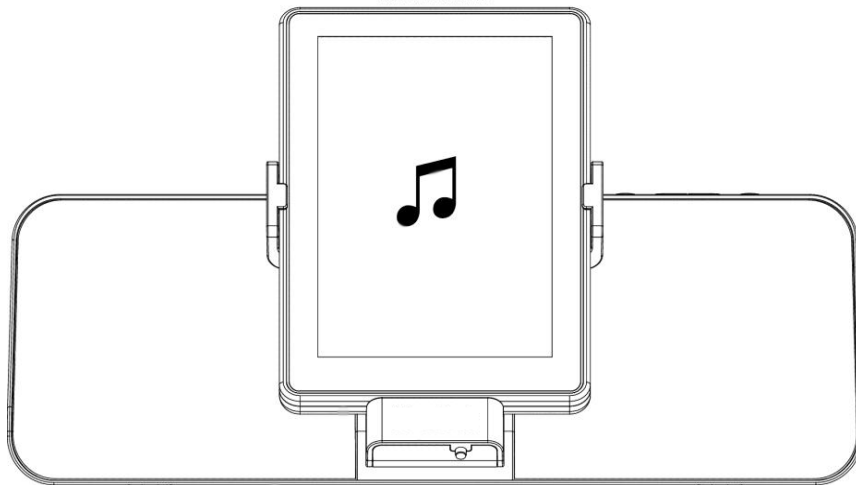


**matchstick**  
a **gracedigital** creation



Kindle Fire

\*kindle fire not included



**User Guide**

**Model No.: GDI-GFD7200**

---

**gracedigital**<sup>®</sup>

---

# Important Safety Instructions and Warnings

## Please read before installation

### WARNING:

- To reduce the risk of fire or electrical shock, do not expose the product to rain or moisture.
- The product should not be exposed to any dripping or splashing liquid.
- Objects filled with liquids, such as vases, should not be placed on the product.
- No open flame sources, such as lighted candles, should be placed on the product.
- Keep the remote control battery or optional rechargeable battery away from children. It may cause a fire or a chemical burn if mishandled. Do not disassemble, heat above 100°C (212°F), or incinerate. Dispose of used batteries promptly. Replace only with a battery of the correct type and model number.

### CAUTION:

1. Please retain these safety instructions for future reference.
2. Please follow these instructions. These instructions contain information for your safety.
3. Please heed the safety warnings on the product and in the user's guide. Failure to do so could result in injury or damage to the product.
4. Power source - the product can only be connected to a power supply of the type specified in the user's guide or as marked on the product. Do NOT use Alkaline batteries or any other rechargeable battery other than the Lithium ion battery designed for use with the product.
5. Power cord protection - protect the power cord from damage. Do not walk on the power cord. Please take care not to let the power cord become pinched, particularly at plug.
6. Water and moisture - the product should not be used near water (for example, near a bathtub, washbowl, kitchen sink, laundry tub, in a wet basement, or near a swimming pool etc.)
7. Heat - keep the product away from heat sources such as radiators, heat registers, stoves or other appliances that produce heat.
8. Damage requiring service - the product should be serviced by qualified service personnel if:
  - a) The power supply cord or the plug has been damaged: or
  - b) Objects have fallen or liquid has been spilled into the product: or
  - c) The product has been exposed to rain: or
  - d) The product does not appear to operate normally or exhibits a marked performance change:
  - e) Or the product has been dropped, or the enclosure damaged.

- 13. Servicing - the user should not attempt to service the product. All servicing should be referred to qualified service personnel.
- 14. Unplug the power adapter during lightning storms or when unused for long periods of time.

**ADVISORY**

This Product is intended for **North American markets**. The MatchStick (GDI-GFD7200) by Grace Digital is in compliance with the essential requirements and other relevant provisions of Directive 1999/5/EC

**ADVISORY**

**FCC Compliance and Advisory Statement:** This device complies with **Part 15** of the **FCC Rules**. Operation is subject to the following two conditions: 1) this device may not cause harmful interference, and 2) this device must accept any interference received, including interference that may cause undesired operation

**NOTE:** This equipment has been tested and found to comply with the limits for a Class B digital device, pursuant to **Part 15** of the **FCC Rules**. These limits are designed to provide reasonable protection against harmful interference in a residential installation. This equipment generates uses and can radiate radio frequency energy and, if not installed and used in accordance with the instructions, may cause harmful interference to radio communications. However, there is no guarantee that interference will not occur in a particular installation. If this equipment does cause harmful interference to radio or television reception, which can be determined by turning the equipment off and on, the user is encouraged to try to correct the interference by one or more of the following measures:

To comply with FCC RF exposure compliance requirements, a separation distance of at least 20 cm must be maintained between the antenna of this device and all persons. This device must not be co-located or operating in conjunction with any other antenna or transmitter.”

**WARNING**

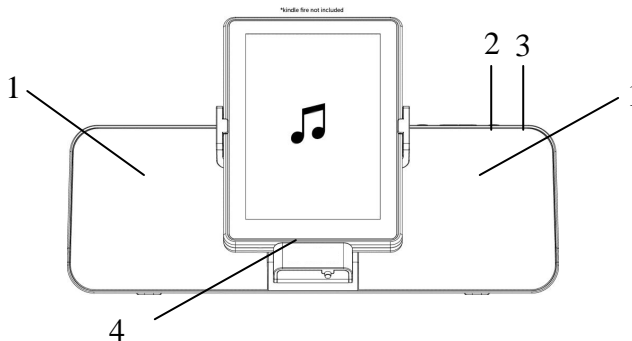
This product may contain chemicals listed in **Proposition 65** ([http://www.oehha.ca.gov/prop65/prop65\\_list/Newlist.html](http://www.oehha.ca.gov/prop65/prop65_list/Newlist.html)) that may be known to cause cancer, birth defects or other reproductive harm

---

## QUICKSTART GUIDE

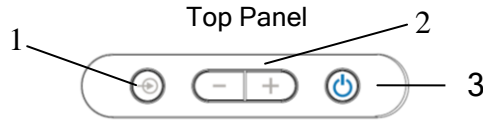
Thank you for your purchase of the MatchStick, a Grace Digital creation. This guide provides a review of the main functions of the MatchStick.

### Front view of MatchStick



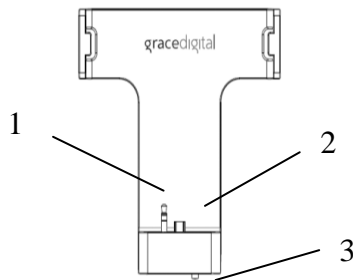
1. STEREO SPEAKERS: 2 - full range stereo speakers
2. LED LIGHT: Battery indicator status (see LED status indicator chart)
3. LED LIGHT: Power indicator status (see LED status indicator chart)
4. ROTATING DOCK: Gently twist dock (left or right) to view your Kindle Fire either horizontally or vertically. The main dock unit can additionally be turned on its back to further optimize your viewing angle.

**NOTE:** The MatchStick will charge your Kindle Fire when the MatchStick is plugged into power. If you purchase the optional MatchStick rechargeable battery (sold separately), when plugged into the wall the MatchStick will charge the MatchStick battery AND the Kindle Fire. However, when the MatchStick is powered by battery power only the MatchStick will NOT charge the Kindle Fire.



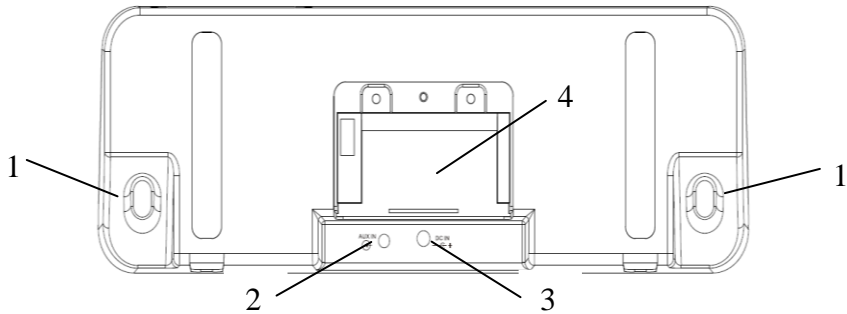
1. **INPUT BUTTON:** Changes the audio source from a docked Kindle Fire to an optional audio source plugged into the rear of the Grace Digital MatchStick.
2. **VOLUME CONTROL:** Press '-' to reduce the volume and press '+' to increase the volume.
3. **MatchStick POWER BUTTON:** Pressing the button turns the MatchStick ON and OFF

### MatchStick Cradle for Kindle



1. **HEADSET JACK:** Slide your Kindle Fire from above through the side holders and slide the Kindle straight down onto the headset jack and the USB jack at the same time. The headset jack allows the Kindle Fire's audio to play on the MatchStick.
2. **USB JACK:** Your Kindle Fire is charged by the MatchStick through this jack.
3. **Kindle Fire POWER BUTTON:** Pressing this button will turn your Kindle Fire ON and OFF, just like pressing the power button on your Kindle Fire.

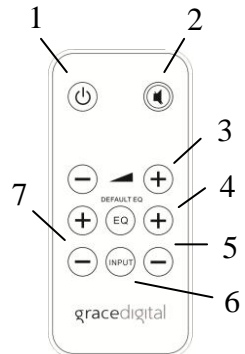
## Back view of MatchStick



1. **BASS PORTS:** Dual bass ports for extended bass performance of the front mounted stereo speakers.
2. **AUX IN:** Allows you to connect any audio source to play through the MatchStick such as an iPhone, iPad, Kindle Touch, Kindle DX, etc.
3. **POWER CONNECTOR:** Connect the AC power adapter (included) into the MatchStick and the other end into a wall power outlet.
4. **BATTERY DOOR:** Access the internal battery compartment to install the optional lithium-ion rechargeable battery (sold separately) for up to 6 hours of portable use. Do NOT use Alkaline or alternative rechargeable batteries.

## Remote Control

1. **Power button:** Turns the MatchStick ON/OFF
2. **Mute:** Mute ON/OFF
3. **Volume:** Volume up '+', Volume down '-'
4. **Default EQ:** Reset to factory equalizer setting
5. **Bass:** Bass up '+', Bass down '-'
6. **Input:** Change audio from Aux in to Kindle Fire
7. **Treble:** Treble up '+', Treble down '-'



## LED Status Indicator

		Battery LED		Operational LED	
AC Power In	Battery Installed	Left LED (Orange/Green)		Right LED (Red/Blue)	
Yes	No				
		Standby		Steady	
		Power On		Steady	
		Battery Low			
		Batt. Charging			
		Battery Full			
		Mute		Flash	
		Vol UP		Flash while button pressed	
		Vol Down		Flash while button pressed	
AC Power In	Battery Installed	Left LED		Right LED	
Yes	Yes				
		Standby		Steady	
		Power On		Steady	
		Battery Low			
		Batt. Charging		Steady	
		Battery Full		Steady	
		Mute		Flash	
		Vol. UP		Flash while button pressed	
		Vol. Down		Flash while button pressed	
AC Power In	Battery Installed	Left LED		Right LED	
No	Yes				
		Standby		OFF	
		Power On		Steady	
		Batt. Charging		Flash	
		Battery Full			
		Mute		Flash	
		Vol UP		Flash while button pressed	
		Vol Down		Flash while button pressed	

**IMPORTANT:** Do NOT use Alkaline batteries or any other rechargeable battery other than the **Lithium-ion** battery designed for use with the product. Use the AC power adapter included with the MatchStick.

---

## Specifications

- Class D digital amplifier, 16 watts
- 100-240V, 12V 2A switching power supply
- S/N ratio: 89dB
- Frequency response: 60Hz - 18kHz +/- 3dB
- Channels: 2 (stereo)
- Speaker drivers: 3" Full range x 2
- Dimensions: 13" x 3.8" x 4.3"
- Rechargeable Lithium-ion Battery Pack 7.4V DC, 2200mAh, 2S1P (sold separately)

---

## What's in the box

- MatchStick by Grace Digital
- UL approved AC power adapter
- Remote control and remote control battery
- Aux in cable
- User Guide

- Sold separately: Rechargeable Lithium-Ion Battery (ACC-GFDLI) made for use with the MatchStick.

---

## Warranty

Your MatchStick is guaranteed against original defects in materials, manufacture and workmanship for one year from the date of purchase.

Under this warranty, repair of any defect or, at the company's discretion, replacement of the faulty component(s) without charge for parts or labor, is agreed. This warranty does not imply any acceptance by MatchStick, retailers or its agents for consequential loss or damage and specifically excludes fair wear and tear, accident, misuse of unauthorized modification.

This warranty is applicable in the United States only and does not in any way limit the customer's legal rights. Claims and enquiries under the warranty for Grace products purchased outside the USA should be addressed to the local importers or distributors. If you have reason to claim under the warranty please contact your dealer in the first instance. Please retain all original packaging materials for possible future use. We suggest that you complete details of purchase now and keep this information in a safe place for future reference. Grace Digital provides their Canadian, Central & South American dealers, distributors, and retailers with a 1 year warranty.



- Your **MatchStick** is supported by a limited manufacturer's warranty for product defects in material or workmanship that may be evident under normal use for 1 year from date of purchase from an authorized franchisee or dealer.
- The warranty stated herein is the only warranty applicable to this product. All other warranties, expressed or implied are hereby disclaimed and are limited by the written limited warranties contained herein. Except as provided herein, the manufacturer shall have no liability or responsibility to a customer or any other person or entity with respect to any liability, loss or damage caused directly or indirectly by use or performance of the product or arising out of any breach of this warranty, including, but not limited to, any damages resulting in inconvenience, loss of time, data, property, or profit or any indirect, special, incidental, or consequential damages, even if the manufacturer has been advised of the possibility of such damages.
- In the event of a product defect during the warranty period, return of the product and your sales receipt as proof of purchase date for your **MatchStick** unit is required and shall, at the discretions of the manufacturer, result in: (a) correction of the defect by repair without charge for parts and labor; (b) replacement with the same or similar design; or (c) refund for the purchase price if purchased directly from Grace Digital and returned within 30 days of purchase. All replaced parts and products, and products, on which a refund may be made, become the property of the manufacturer. New or reconditioned parts/ products should be warranted for the remainder of the original warranty period.
- **The warranty does not cover:**
  - (a) damage or failure caused by or attributed to acts of God, abuse, accident, misuse, improper installation or improper maintenance, alteration, lightning or excessive voltage or current;
  - (b) any repairs other than those provided by a **MatchStick** authorized service facility;
  - (c) consumables such as fuses or batteries;
  - (d) cosmetic damage;
  - (e) transportation, shipping or insurance costs;
  - (f) costs of product removal, installation, set-up, service adjustment or re-installation.
- Customers are responsible for any shipping costs related to product return, repair and/or refund.
- Warranty terms may be revised without notification at the discretion of the manufacturer.

---

## Customer Service and Support

Thank you for your purchase. For questions regarding your product please visit us at:

[www.gracedigital.com](http://www.gracedigital.com) or contact us at: <http://www.gracesupport.com>

---