

SPARC

Quick Start Guide Bluetooth Alarm Clock FM Radio SHD-BT1

HD RADIO TECHNOLOGY

Excellent choice!
Your purchase of the new SPARC SHD-BT1 reflects your desire to experience all the great benefits of HD Radio Technology!

Explore more.
Visit SPARCradio.com
Learn more.
Visit HDRadio.com



Program Info)

Program Info provides song name, artist, station ID, and other relevant data.

HD2/HD3)

Adjacent to traditional main stations are HD2/HD3 Channels, providing new original formats on the FM dial.

Digital Sound)

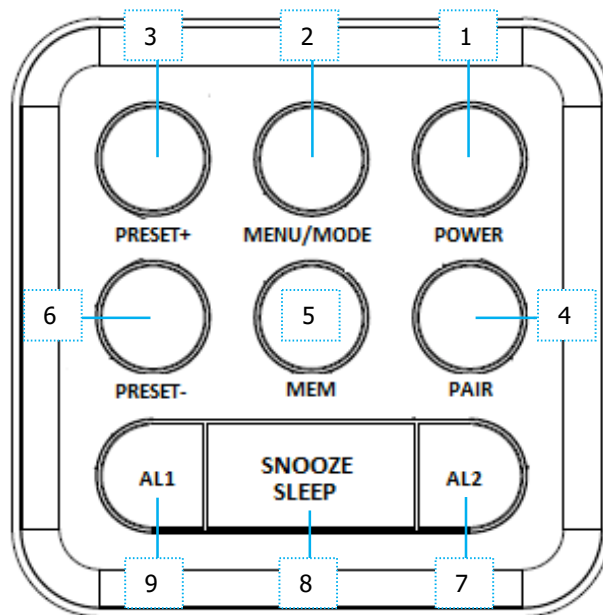
HD Radio broadcasts deliver crystal clear, CD-like digital audio quality.

From coast to coast and around the world, broadcasters are upgrading their FM signals from analog to digital HD Radio Technology. Find local HD Radio stations on HDRadio.com/stations.

Introducing your SHD-BT1

Explore the features and familiarize yourself with the controls.

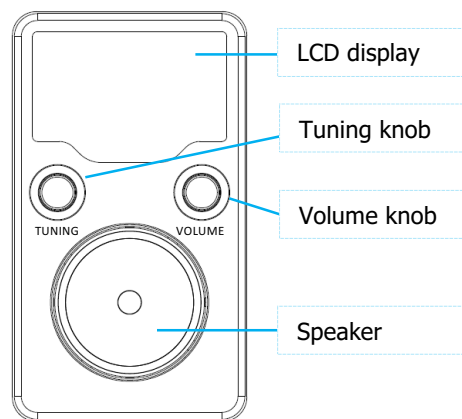
TOP VIEW



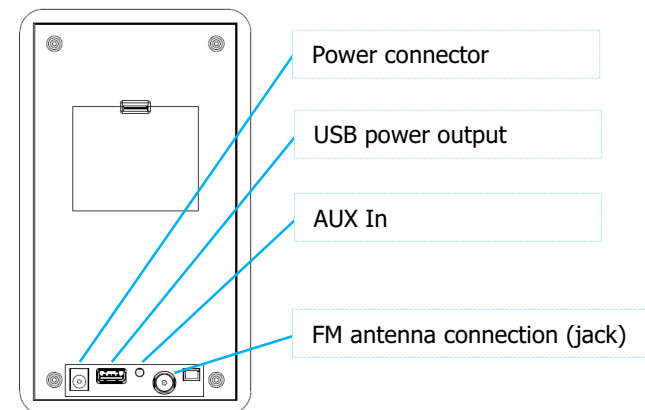
DESCRIPTIONS OF THE CONTROLS (TOP VIEW)

1	POWER	Press and hold to power on/off Press once to dim LCD backlight
2	MENU/MODE	Press once to switch between audio sources (Radio, Bluetooth, and AUX In) Press and hold to display MENU
3	PRESET+	Press to go to the next higher preset station number in the preset memory list
4	PAIR	Pair Bluetooth device with this radio
5	MEM	To save preset station to Memory
6	PRESET-	Press to go to the next lower preset station number in the preset memory list
7	AL2	Press and hold to activate Alarm 2 Press once to review Alarm 2 settings
8	SNOOZE/SLEEP	While alarm is sounding, press once to Snooze for five minutes While in Radio or Bluetooth mode, press twice to turn on Sleep mode for 60 minutes
9	AL1	Press and hold to activate Alarm 1 Press once to review Alarm 1 settings

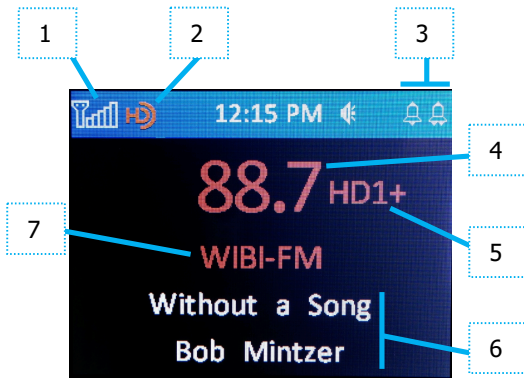
FRONT VIEW



BACK VIEW



Observe the indicators in the display on your SHD-BT1.



INDICATORS in the Display on your SHD-BT1

1. Signal bars
2. HD Radio signal/station indicator: HD)
3. ALARM indicators: AL1 / AL2
4. Current frequency
5. HD Radio HD1/HD2/HD3 channel number: "+" means more channels
6. Song and artist information
7. Station call sign

Setting the alarms on your SHD-BT1.

There are two alarms in your SHD-BT1 Radio: you can set the alarms on different days of the week, wake on buzzer or radio. Enter the MENU by pressing and holding the "MENU/MODE" button.

Turn the "VOLUME" knob to scroll, then press the "VOLUME" knob to select: "Setting" > "Setup Alarm" > "Alarm-1"

In the alarm setting screen, turn the "VOLUME" knob to scroll through the items.

Turn the "TUNING" knob to adjust each item, day of the week is selected in RED.

Press the "VOLUME" knob to save the alarm setting.

To activate/deactivate the alarm, press and hold "AL1" or "AL2": press "AL1" or "AL2" to review the alarm settings.

Setting a preset station on your SHD-BT1.

Tune to the station that you want to set as a preset station.

Press the "MEM" button: a memory number appears on the display.

Press "PRESET+" or "PRESET-" to scroll to the memory number that you want to use as the 'Preset Station Number'.

Press the "MEM" button again to save the station to the preset station memory list.

Using Bluetooth streaming music on your SHD-BT1.

On the radio, press "MENU/MODE" to switch from Radio mode to Bluetooth mode: the radio will be in pairing mode.

On the smartphone, turn on Bluetooth to discover and connect to the device called "SHD-BT1": you can play music from your smartphone once the "SHD-BT1" device is connected to your smartphone.

Press the "PAIR" button once to PLAY/PAUSE the streaming music from your smartphone: press and hold the "PAIR" button to place the radio in pairing mode again.

HD Radio Technology manufactured under license from iBiquity Digital Corporation.

U.S. and Foreign Patents apply.

HD Radio™, Artist Experience®, and the HD, HD Radio, and "Arc" logos are proprietary trademarks of iBiquity Digital Corporation.

iBiquity Digital Corporation
6711 Columbia Gateway Drive, Suite 500, Columbia, MD 21046, USA
Voice: 443-539-4290

© 2014 iBiquity Digital Corporation
Made in China | Fabriqué en Chine | Fabricado en China

SPARC SHD-BT1 Bluetooth Alarm Clock FM Radio : [v01.03]

This device complies with Part 15 of the FCC Rules. Operation of this product is subject to the following two conditions:
[1] this device may not cause harmful interference, and
[2] this device must accept any interference received, including interference that may cause undesired operation.

This Class B digital apparatus complies with Canadian ICES-003.

SHD-BT1 plus Accessories

Bluetooth Alarm Clock FM Radio

Quick Start Guide

FM Antenna

AC Adapter

SHD-BT1 Power ON/OFF

Press and hold "POWER" for two seconds to power ON/OFF the radio.

SHD-BT1 FM Antenna

The FM antenna needs to be connected to the FM antenna jack completely and securely for optimum signal reception.

Selecting International Frequency Spacing

1. Press and hold "MENU/MODE".
2. Turn the "VOLUME" knob to scroll to AREA; press the "VOLUME" knob to select.
3. Turn the "VOLUME" knob to scroll to the AREA you want to select, then press the "VOLUME" knob to select.
4. Press "MENU/MODE" to exit.

SHD-BT1 Specifications

Frequency Range	87.5 MHz to 108 MHz
International Tuning	Area A: 100 kHz Area B: 200 kHz (US) Area C: 50 kHz
Presets	20 stations
Volume Levels	0 to 30
Earphone Jack	3.5 mm
Display	2.4" Color LCD (128 pixels x 128 pixels)
Power Input	9VDC, 2A
USB Output	5VDC, 500mA



SPARC