

# EcoSplash

User Guide | Models: GDI-EXSPLSH00...20

## Control Buttons & Operations

### On / Off

**PRESS & HOLD** the Power Button for 3-5 seconds to turn it On / Off.

Press to pause & play song tracks.

### Bluetooth

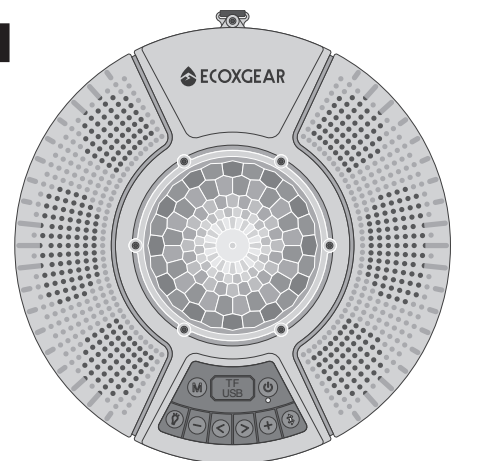
**PRESS & HOLD** to disconnect Bluetooth connection.

Refer to **Bluetooth Pairing & Audio** for details.

### Track Selection

Press < for previous track selection.

Press > to advance the track selection.



### Speaker Volume

Press - to decrease the volume. Press + to increase the volume.

### Party Lights

Press to cycle through the Party Light Modes.

### Phone Calls

Press to answer incoming mobile calls and once again to hang up.

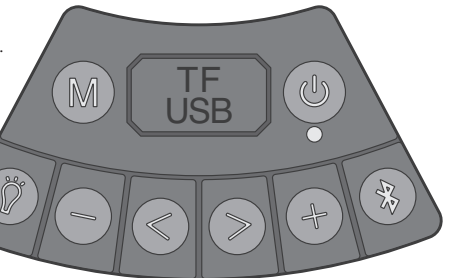
### Mode

Press M to toggle between Bluetooth mode and TF Card Reader mode.

### Accessing Power and Connections

Pull on the **LEFT** side of the **TF USB** rubber cap.

**CAUTION:** Do **NOT** charge if unit and/or connections are wet or damp. Before you open the rubber cap, dry the EcoSplash with a towel.



## Power and Connections

### Input

Fully charge your EcoSplash **BEFORE** you power on for best performance. Connect the USB INPUT to the supplied USB micro cable and AC-DC adapter to a power source to charge your EcoSplash.

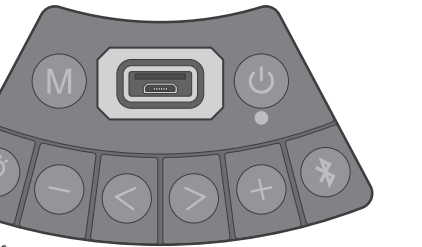
When charged, **PRESS & HOLD** the Power Button to power On / Off the EcoSplash.

**IMPORTANT: MUST** use the USB micro cable and AC-DC adapter included with the EcoSplash for charging your speaker. Do **NOT** use the included adapter to charge any other devices as it may damage them.

### TF Card

Insert your TF card into the TF Card reader as an alternative to a Bluetooth connection to your EcoSplash. After the TF Card is inserted, press M to toggle between Bluetooth mode and TF Card Reader mode. The speaker will start playing music and the LED indicator will shine solid **GREEN**.

**NOTE:** TF card is **NOT** included.



## Bluetooth Pairing & Audio

### Connecting With Bluetooth: Connect To Your Smart Device & Play Audio

When your EcoSplash is turned on, the LED light on the front will flash **BLUE**, indicating the unit is powered on and ready to pair. The unit shall also announce, "Power on. The Bluetooth device is ready to pair," when powered on.

Turn on your Smartphone's Bluetooth. Set the Smartphone to pairing mode. Available Bluetooth connections shall appear. Select 'ECOXGEAR' from the list of discovered devices on your Smartphone. Wait a few seconds until the connection is completed.

When the ECOXGEAR selection is made and the Bluetooth connection is complete, your EcoSplash will announce, "The Bluetooth device connected successfully," and the LED indicator will turn solid **BLUE**. Once connected, select and play your desired audio.

Your EcoSplash should sync & wirelessly pair with most Bluetooth enabled devices. The unit remembers the last device paired and will automatically search for previous connections when the speaker is turned on or when a device comes back into Bluetooth range. If a connection is dropped, the speaker will look to re-establish that connection. If Bluetooth is turned off on your Smartphone, the EcoSplash may not automatically look for the device.

**RECOMMENDATION:** If you are not familiar with Bluetooth pairing for your Smartphone or other Smart-Device, refer to the User Guide for your Smartphone to learn how to add and pair a new device (EcoSplash for instance) to your Smartphone using Bluetooth.

## Bluetooth Pairing & Connections

Once paired, should you have an issue switching between Bluetooth connections on current or new devices, open the Bluetooth Section within the device currently connected to the EcoSplash and delete the ECOXGEAR Bluetooth selection from your phone. The EcoSplash will then be available to pair & connect to an alternate "ECOXGEAR" Bluetooth connection.

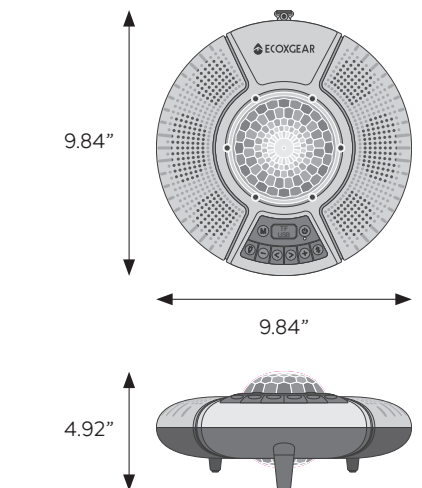
To disconnect the speaker, you can also **PRESS & HOLD**. The speaker will announce, "The Bluetooth device is ready to pair," once it has disconnected from your Bluetooth device.

To reconnect the speaker, you can also **PRESS & HOLD**. The speaker will announce, "The Bluetooth device connected successfully," once it has reconnected to your Bluetooth device.

**Important: Maintaining Waterproofness**  
Your EcoSplash is only waterproof when the **RUBBER CAP** is properly closed. In order to properly close the cap, be sure the cap fits flat and flush along the edges with the top panel.

## Specifications

### Unit Dimensions



### Unit Weight

2 lbs 5 ounces

### Output Power

4x 10W Stereo Speakers

### S/N Ratio

90dB +/- 3dB

### Power Source

11.1V, 4000mAh  
Lithium-ion Battery

### USB Input

15V, 1A

### Frequency Range

20Hz-18,000Hz

### Play Time

3.5+ hours from full charge at 75% volume level

### Charging Time

Approximately 6 hours

### Bluetooth

Bluetooth® 5.0;

Up to 30 ft / 10 m

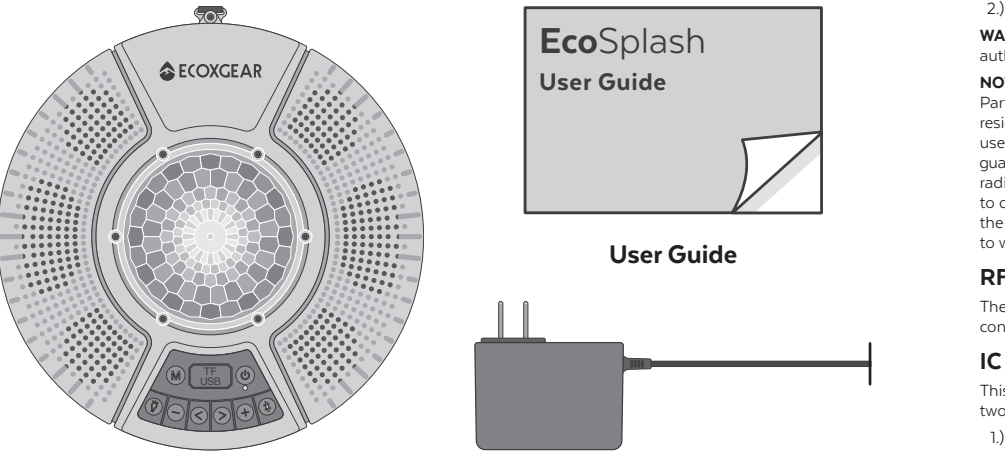
### LED Party Lights

3 Party Modes

### Waterproof / Dust Rating

IP67

## What's in the Box ?



EcoSplash Unit  
USB Micro Cable + AC-DC Adapter

### FCC STATEMENT:

This device complies with Part 15 of the FCC Rules. Operation is subject to the following two conditions:

- 1.) This device may not cause harmful interference, and
- 2.) This device must accept any interference received, including interference that may cause undesired operation.

**WARNING:** Changes or modifications not expressly approved by the party responsible for compliance could void the user's authority to operate the equipment.

**NOTE:** This equipment has been tested and found to comply with the limits for a Class B digital device, pursuant to Part 15 of the FCC Rules. These limits are designed to provide reasonable protection against harmful interference in a residential installation. This equipment generates uses and can radiate radio frequency energy and, if not installed and used in accordance with the instructions, may cause harmful interference to radio communications. However, there is no guarantee that interference will not occur in a particular installation. If this equipment does cause harmful interference to radio or television reception, which can be determined by turning the equipment off and on, the user is encouraged to try to correct the interference by one or more of the following measures: reorient or relocate the receiving antenna, increase the separation between the equipment and receiver, connect the equipment into an outlet on a circuit different from that to which the receiver is connected, consult the dealer or an experienced radio/TV technician for help.

### RF WARNING STATEMENT:

The device has been evaluated to meet general RF exposure requirement. The device can be used in portable exposure condition without restriction.

### IC STATEMENT:

This device complies with Industry Canada licence-exempt RSS standard(s). Operation is subject to the following two conditions:

- 1.) This device may not cause interference, and
- 2.) This device must accept any interference, including interference that may cause undesired operation of the device.

### PRODUCT USE AND PROTECTION:

**Read and follow all instructions. Use only as intended.**

The ECOXGEAR Bluetooth speaker is intended to be used indoors or outdoors and in land or water environments. The speaker has been tested to IP67 waterproofing standards, which means the speaker can be submerged in up to 3 feet of water for 30 minutes without any damage. However, the speaker is **NOT** intended for constant underwater use.

Always make sure the cap(s) / cover(s) are clean, free from sand or debris, and correctly fitted. The speaker will only meet IP67 ratings if all rubber seals, gasket(s) and cover(s) / cap(s) are in place. If you notice a muffling of audio after submersion, gently shake the unit to clear excess water. If your speaker is exposed to salt water, clean it thoroughly after use with fresh water.

The USB cables, power adapters, and the unit with an improperly fitted cap are **NOT** waterproof.

To prevent fire or shock, do **NOT** attempt to charge this unit if it is wet or you suspect water has entered the unit. In this situation, please return the unit to Grace Digital for a free assessment. If we have found that the unit has carried water, we will repair or replace the unit free of charge.

### SAFETY ADVISORY & WARNING:

**Read and follow all instructions. Use only as intended.**

**CAUTION:** Do **NOT** open to repair. A qualified technician must carry out repair work.

**ATTENTION:** Do **NOT** charge while the unit is wet. Towel dry the unit **AND** make sure all connections are dry **BEFORE** plugging in the charging connector. Failure to do so may result in electrical damage to the unit and may void the warranty.

**WARNING:** EcoSplash has a built-in Lithium battery. The battery must **NOT** be used in or near an open heat source or excessive heat.

**WARNING:** Danger of explosion if battery is incorrectly replaced.

**ATTENTION:** Do **NOT** dispose of in a landfill. Contact Grace Digital at [www.gracesupport.com](http://www.gracesupport.com) or a certified recycling agent to dispose of the unit.

**ATTENTION:** AC adapter is a device forming a part of the main plug therefore an AC adapter can always be readily disconnected from AC socket-outlet.

### PROPOSITION 65

**WARNING:** Cancer and Reproductive Harm - [www.P65Warnings.ca.gov](http://www.P65Warnings.ca.gov)

### SAFETY:

This product has a limited life span of use and should be replaced when it shows obvious signs of wear.

Do not modify or remove any original component parts of the speaker. Doing so could cause damage to the unit allowing water to ingress. A unit with water ingress should not be charged due to potential risk of fire or shock.

Do not attempt to mount the unit except with the approved ECOXGEAR mounts. Doing so could cause damage to the unit allowing water to ingress. A unit with water ingress should not be charged due to potential risk of fire or shock.

Please exercise care and good judgment when using your ECOXGEAR speaker. Audio levels should be appropriate to your environment, comply with all local regulations, and always ensure that you can hear and be aware of any potential hazards around you.

### You should always

- 1.) Use the ECOXGEAR speaker in accordance with any music or noise rules and regulations.
- 2.) Properly seal the ECOXGEAR prior and after each use when in humid or water environments to avoid water damage to the internal components. Salt water / air is particularly corrosive. Always make sure that the gaskets are sealed when in salt water environment and the unit properly rinsed off after use.
- 3.) Properly clean the ECOXGEAR and ensure the gaskets have no sand, dirt or water on them prior to storage or removing the top cover.
- 4.) Store your unit with all caps properly sealed to avoid long term internal moisture damage inside your unit.
- 5.) Completely dry and clean your ECOXGEAR prior to attempting to charge the unit.
- 6.) Return the ECOXGEAR to Grace Digital if you suspect water ingress into the unit or if the unit has experienced a severe impact that may have affected the integrity of the unit to take on water.

### You should never

- 1.) Never charge your ECOXGEAR if you suspect water has entered the device. Charging a device with water inside could be potentially hazardous and cause fire or a spark.
- 2.) Never use your ECOXGEAR if you have dropped it or thrown it against a hard surface which may have destroyed the integrity of the speaker, housing, or gaskets. In the event of a severe impact to your unit please return the unit to Grace Digital to review for potential damage.
- 3.) Never open the auxiliary door in a water environment. This could cause water to ingress into the unit which could potentially be hazardous and cause a fire or a spark.
- 4.) Never attempt to fix, repair your ECOXGEAR unit. Please send it back to Grace Digital for any assessments and repairs.

### CARE, MAINTENANCE & PRECAUTIONS:

- 1.) The unit is waterproof only when the cap is properly closed.
- 2.) Close the cap properly before use. If the unit is placed in water without the cap properly closed, water may enter into the unit and void your warranty.
- 3.) Dry unit completely before opening the cap. Do **NOT** open the cap if wet or in a wet environment.
- 4.) Do **NOT** apply excessive force to any surfaces of the unit.
- 5.) Do **NOT** use or store the unit in places with high temperature.
- 6.) **AVOID** prolonged exposure to ultraviolet radiation (UV sunlight) and strong magnetic fields.
- 7.) Periodically check the rubber seal for premature wear.
- 8.) Periodically clean the rubber with a soft moist cloth and ensure no objects such as dirt, hair, sand are on the rubber cap. Do **NOT** use any oily solvent or chemicals for cleaning.
- 9.) Rinse off the unit with tap water after use in salt water or swimming pool.
- 10.) Power and / or charge the built-in rechargeable battery for portable use by connecting to an AC outlet using the AC-to-USB cord power adapter intended for use with the unit.

- 11.) Noise and audio distortion may occur when the batteries are nearing end of charge.
- 12.) Do **NOT** remove the built-in battery. Do **NOT** remove the grill covers.

### LIMITED MANUFACTURER'S WARRANTY:

EcoSplash is covered by a 3 year limited warranty that covers defects in workmanship and / or materials for a period of 3 years from original purchase date. This warranty does not apply to any products which have been abused, neglected, modified or used for a purpose other than the one for which they were manufactured. Please refer to the above care and maintenance instructions for suggested care details. The warranty is valid only for the original owner who purchases the unit from an authorized dealer. Transfers do not qualify for warranty protection. Grace Digital reserves the right to replace any out-of-stock or discontinued product with a comparable product. Discontinued products may not be available for warranty replacement. Any contents are **NOT** covered by the limited manufacturer's warranty. Warranty terms may be revised without notification at the discretion of the manufacturer. Please visit [www.ecoxgear.com](http://www.ecoxgear.com) for additional product & warranty information.



EcoSplash by ECOXGEAR, a division of Grace Digital Inc., San Diego, California.  
Designed and Engineered in the USA. Made in China.

Patent Pending.